

## OPW 634 Series Tight-Fill Top-Seal Caps

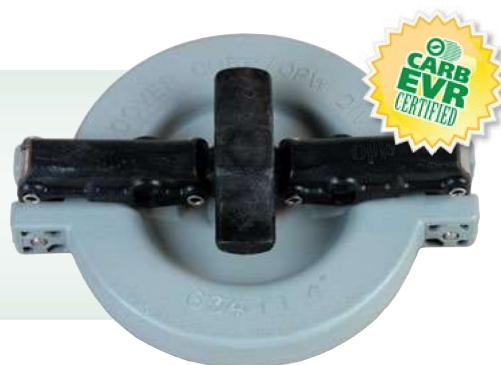
Tight-Fill Top-Seal Caps are installed on top-seal adaptors, when not in use, to prevent gasoline vapors from escaping and to prevent water, dust and debris from entering the tank.



EVR Approved for E85

### Materials

- Cap & Links: Duratuff®
- Pins: Stainless-steel
- Gasket: Nitrile
- Color: Grey

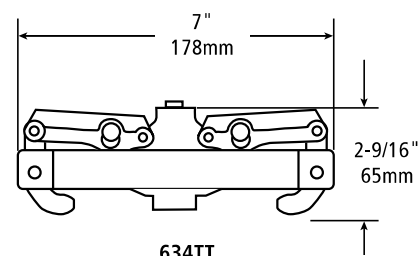


### Ordering Specifications

Product #	in.	mm	lbs.	kg
634TT-7085-EVR	4	102	1.01	.46

### Replacement Parts

Part #	Description
H15005M	Nitrile Gasket



NOTE: Effective height above adaptor: 1-19/32"

## OPW 634TT

The OPW 634TT is designed to mate with 4" 633T, 633TE, 61SA, 633TC, and 633TCP Top-Seal Adaptors. Heavy-duty and corrosion-resistant, the body is made of Duratuff® to help eliminate rust and oxidation for a long, maintenance-free life. The toggle lever distributes downward pressure to compress its Buna-N gasket evenly, ensuring a positive, water and vapor-tight seal. The 634TT can be locked with a padlock or wire seal.

The OPW 633TE adaptor is similar to the 633T, except it does not have internal wrenching lugs.

## OPW 634TT - Metal

The 634TT-4000 is a metal top-seal cap with the same dimensions as the 634TT-7085.

### Materials

- Cap: Die-cast zinc (powder-coated black)
- Lever: Duratuff®
- Pins: Stainless-steel
- Gasket: Nitrile

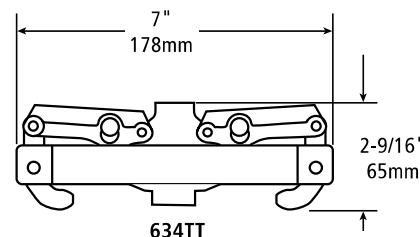


### Ordering Specifications

Product #	in.	mm	lbs.	kg
634TT-4000	4	102	1.01	.46

### Replacement Parts

Part #	Description
H15005M	Gasket for 634TT-4000



### Listings and Certifications



OPW 634TT & 634LPC are EVR Approved for E85



## Materials

**Cap:** Cast zinc alloy  
(powder-coated  
yellow or grey)

**Lever:** Ductile iron

**Gasket:** Nitrile



## OPW 634LPC Low-Profile Top-Seal Fill Cap

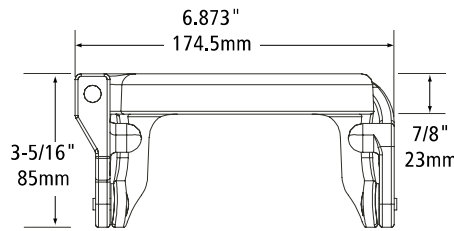
The OPW 634LPC Low-Profile Top-Seal Fill Cap is designed for tight installations where the clearance between the top of the fill adaptor and the underside of the spill-container cover is limited. The rugged iron lever provides a positive cam-action that seats the cap firmly in the adaptor groove for a water and vapor-tight seal. When engaged, the lockable cap adds only 1/2" to the final height of the adaptor. The 634LPC can be used with the 4" OPW 633T, 633TE, 633TC, and 61SA series top-seal fill adaptors.

## Ordering Specifications

Product #	in.	mm	lbs.	kg
634LPC-0400 - Gray	4	102	3.5	1.59
634LPC-0400D - Yellow	4	102	3.5	1.59

## Replacement Parts

Part #	Description
H15005M	Buna-N Gasket



634LPC

Note: Effective height above adaptor: 1/2"



EVR Approved for E85

## Materials

**Cap:** Duratuff®

**Lever:** Brass

**Gasket:** Nitrile

**Pivot pin:** Stainless-steel

**Color:** Grey



## OPW 634TE Single Lever-Action Top-Seal Cap

The OPW 634TE is a Single Lever-Action Top-Seal Cap designed to mate with 3" OPW 633T Top-Seal Adaptors.

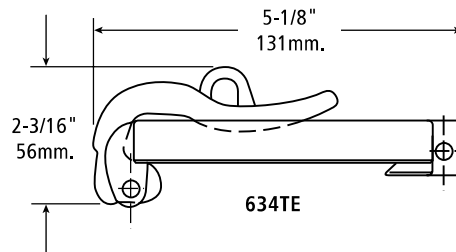
The locking lever seats in the groove in the adaptor, providing a cam-down action on the cap for a positive water and vapor-tight seal. The 634TE can be locked with a padlock or wire seal. Patent #3,118,561.

## Ordering Specifications

Product #	in.	mm	lbs.	kg
634TE-7085	3	76	1.11	.50

## Replacement Parts

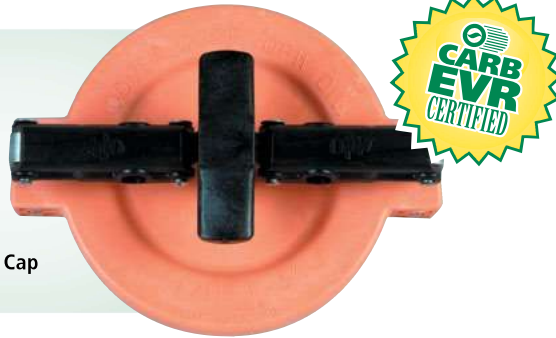
Part #	Description
C01094RB	Lever
H10765M	Gasket
H10731RE	Pivot Pin



634TE

## Materials

**Body:** Duratuff®  
**Pins:** Stainless-steel  
**Links:** Duratuff®  
**Gasket:** Nitrile  
**Color:** Orange



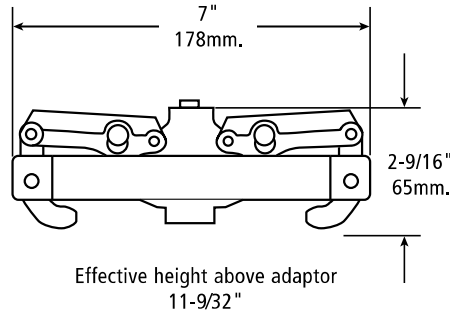
1711T Cap

## Ordering Specifications

Product #	in.	mm	lbs.	kg
1711T-7085-EVR	3	76	1.1	.50

## Replacement Parts

Part #	Description
H10886M	Nitrile Gasket



## OPW Stage I Vapor Recovery Caps

### OPW 1711T

The OPW 1711T Vapor Recovery Cap is for use with the OPW 1611AV, 61VSA, 1611AVB and 1611VR Adaptors. The 1711T is installed on the vapor recovery adaptor, when not in use, to prevent vapors from escaping and to prevent water, dust and debris from entering the tank. Constructed of Duratuff® to help prevent corrosion, the OPW 1711T will couple to Civacon/OPW 4" Kamloks, and features a center post that allows an even distribution of force when coupling to the adaptor. The 1711T can be locked with a padlock.

## Materials

**Cap:** Cast zinc alloy (powder-coated orange)  
**Lever:** Ductile iron  
**Gasket:** Nitrile



1711LPC Cap

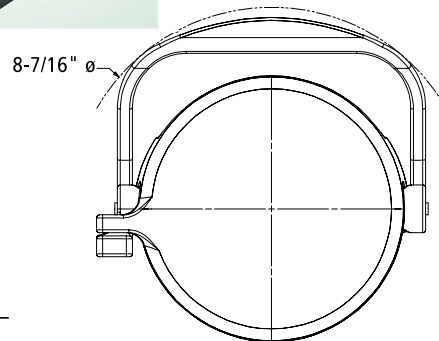
Effective height above adaptor 1/2"

## Ordering Specifications

Product #	in.	mm	lbs.	kg
1711LPC-0300	3	76	3.5	1.59

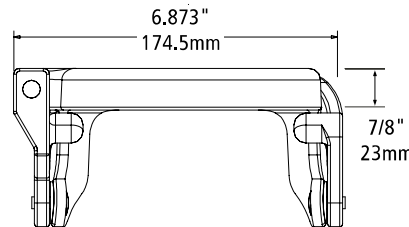
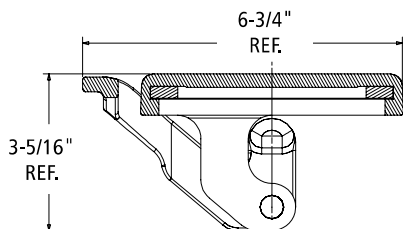
## Replacement Parts

Part #	Description
H15005M	Nitrile Gasket



## OPW 1711LPC Low-Profile Vapor Cap

The OPW 1711LPC Low-Profile Top-Seal Vapor Cap is designed for tight installations where the clearance between the top of the vapor adaptor and the underside of the spill-container or manhole cover is limited. The rugged iron lever provides a positive cam-action that seats the cap firmly in the adaptor groove for a water and vapor-tight seal. When engaged, the lockable cap adds only 1/2" to the final height of the adaptor. The cap is powder-coated API Orange to signify vapor recovery. The 1711LPC can be used with the OPW 3" 1611AV, 1611AVB and 61VSA series vapor adaptors.



## Listings and Certifications



OPW 1711 Series Caps are EVR Approved for E85

